

ENCODER

Profinet Multiturn



Series 8.5868, 8.5888

Key-Features:

- Solid shaft: maximum diameter 10 mm
- Blind hollow shaft: maximum diameter 15 mm
- Housing diameter 58 mm
- Interface: Profinet IO
- Protection class up to IP67
- Total resolution up to 28 Bit
- Maximum revolution speed 9000 turns/min
- Temperature range -40...+80°C

Content:

Order Code2
Technical Data3
Profinet Interface4
Connection4
Technical Drawing5

Absolute encoders – multiturn

Standard
mechanical multiturn, optical

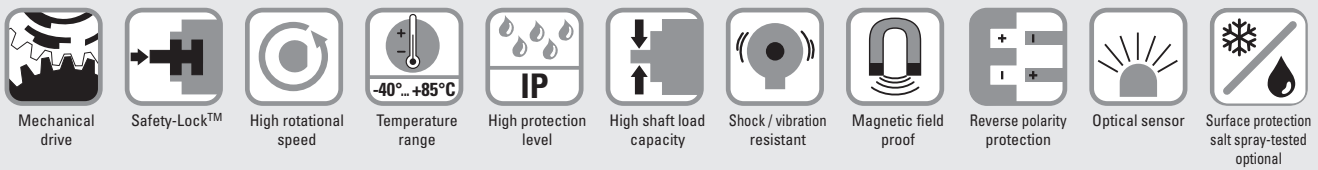
Sendix 5868 / 5888 (shaft / hollow shaft)

PROFINET IO



The multiturn encoders Sendix 5868 and 5888 with PROFINET interface and optical sensor technology are ideal for use in all applications with PROFINET technology.

The encoder supports the isochronous (IRT) mode and is therefore ideal for real-time applications.



Reliable

- Ideally suited for all PROFINET applications thanks to the use of encoder profile 4.1.
- Perfect for use in harsh outdoor environments, as a result of IP67 protection and rugged housing construction.

Flexible

- Easy setting of a preset value using a control bit (telegram 860).
- IRT-Mode.
- Cycle time ≤ 1 ms.
- Firmware updater allows for easy expansion of characteristics without having to disassemble the encoder.

Order code 8.5868 . X X C 2 . C2 12
Shaft version Type



- | | | | |
|--------------------------------------------------------------------------------------------------------------------------------------------------------------------------------------------------------------------------------------------------------------------------------------------------------------------------------------------------------------------------------------------|---------------------------------------------------------------------------------------------------------------------------------------------------------------------------------------------------------------------------------|---------------------------------------------------------------------------------------------------------------------------------------------------------------------------------------------------------------------|-------------------------------------------------------------------------------------------------------------------------------------------------------------------------------------|
| <p>a Flange
 1 = clamping flange, IP65 ø 58 mm [2.28"]
 3 = clamping flange, IP67 ø 58 mm [2.28"]
 2 = synchro flange, IP65 ø 58 mm [2.28"]
 4 = synchro flange, IP67 ø 58 mm [2.28"]
 5 = square flange, IP65 □ 63.5 mm [2.5"]
 7 = square flange, IP67 □ 63.5 mm [2.5"]</p> | <p>b Shaft (ø x L), with flat
 1 = 6 x 10 mm [0.24 x 0.39"]¹⁾
 2 = 10 x 20 mm [0.39 x 0.79"]²⁾
 3 = 1/4" x 7/8"
 4 = 3/8" x 7/8"</p> | <p>c Interface / power supply
 C = PROFINET IO / 10 ... 30 V DC</p> <p>d Type of connection
 removable bus terminal cover
 2 = 3 x M12 connector, 4-pin</p> | <p>e Fieldbus profile
 C2 = PROFINET IO</p> <p>Optional on request
 - Ex 2/22
 - surface protection salt spray tested</p> |
|--------------------------------------------------------------------------------------------------------------------------------------------------------------------------------------------------------------------------------------------------------------------------------------------------------------------------------------------------------------------------------------------|---------------------------------------------------------------------------------------------------------------------------------------------------------------------------------------------------------------------------------|---------------------------------------------------------------------------------------------------------------------------------------------------------------------------------------------------------------------|-------------------------------------------------------------------------------------------------------------------------------------------------------------------------------------|

Order code 8.5888 . X X C 2 . C2 12
Hollow shaft Type



- | | | | |
|-----------------------------------------------------------------------------------------------------------------------------------------------------------------------------------------------------------------------------------------------------------------------------------------------------------------------------------------------------------------------------------------------------------------|-------------------------------------------------------------------------------------------------------------------------------------------------------------------------------------------------------------------------------------------------------------------------------------------------------------------------|---------------------------------------------------------------------------------------------------------------------------------------------------------------------------------------------------------------------|-------------------------------------------------------------------------------------------------------------------------------------------------------------------------------------|
| <p>a Flange
 1 = with spring element, long, IP65
 2 = with spring element, long, IP67
 3 = with stator coupling, IP65 ø 65 mm [2.56"]
 4 = with stator coupling, IP67 ø 65 mm [2.56"]
 5 = with stator coupling, IP65 ø 63 mm [2.48"]
 6 = with stator coupling, IP67 ø 63 mm [2.48"]</p> | <p>b Blind hollow shaft
 (insertion depth max. 30 mm [1.18"])
 3 = ø 10 mm [0.39"]
 4 = ø 12 mm [0.47"]
 5 = ø 14 mm [0.55"]
 6 = ø 15 mm [0.59"]
 8 = ø 3/8"
 9 = ø 1/2"</p> | <p>c Interface / power supply
 C = PROFINET IO / 10 ... 30 V DC</p> <p>d Type of connection
 removable bus terminal cover
 2 = 3 x M12 connector, 4-pin</p> | <p>e Fieldbus profile
 C2 = PROFINET IO</p> <p>Optional on request
 - Ex 2/22
 - surface protection salt spray tested</p> |
|-----------------------------------------------------------------------------------------------------------------------------------------------------------------------------------------------------------------------------------------------------------------------------------------------------------------------------------------------------------------------------------------------------------------|-------------------------------------------------------------------------------------------------------------------------------------------------------------------------------------------------------------------------------------------------------------------------------------------------------------------------|---------------------------------------------------------------------------------------------------------------------------------------------------------------------------------------------------------------------|-------------------------------------------------------------------------------------------------------------------------------------------------------------------------------------|

1) Preferred type only in conjunction with flange type 2.
 2) Preferred type only in conjunction with flange type 1.

Absolute encoders – multiturn

Standard mechanical multiturn, optical	Sendix 5868 / 5888 (shaft / hollow shaft)	PROFINET IO
-----------------------------------------------	--------------------------------------------------	--------------------

Mounting accessory for hollow shaft encoders	Dimensions in mm [inch]	Order no.
Cylindrical pin, long for flange with spring element (flange type 1 + 2)	with fixing thread 	8.0010.4700.0000

Connection technology		Order no.
Cordset, pre-assembled	M12 male connector with external thread for port 1 and port 2, 4-pin 2 m [6.56']	K4P2M-S-M12-CAT
	M12 female connector with coupling nut for power supply, 4-pin 2 m [6.56']	K4P2M-S-M12

Technical data

Mechanical characteristics		
Maximum speed	IP65 up to 70°C [158°F]	9000 min ⁻¹ , 7000 min ⁻¹ (continuous)
	IP65 up to T _{max}	7000 min ⁻¹ , 4000 min ⁻¹ (continuous)
	IP67 up to 70°C [158°F]	8000 min ⁻¹ , 6000 min ⁻¹ (continuous)
	IP67 up to T _{max}	6000 min ⁻¹ , 3000 min ⁻¹ (continuous)
Starting torque - at 20°C [68°F]	IP65	< 0.01 Nm
	IP67	< 0.05 Nm
Mass moment of inertia	shaft version	3.0 x 10 ⁻⁶ kgm ²
	hollow shaft version	7.5 x 10 ⁻⁶ kgm ²
Load capacity of shaft	radial	80 N
	axial	40 N
Weight		approx. 0.54 kg [19.05 oz]
Protection acc. to EN 60529	housing side	IP67
	shaft side	IP65, opt. IP67
Working temperature range		-40°C ... +85°C [-40°F ... +185°F]
Material	shaft/hollow shaft	stainless steel
	flange	aluminum
	housing	zinc die-cast
Shock resistance acc. to EN 60068-2-27		2500 m/s ² , 6 ms
Vibration resistance acc. to EN 60068-2-6		100 m/s ² , 55 ... 2000 Hz

Electrical characteristics	
Power supply	10 ... 30 V DC
Power consumption (no load)	max. 200 mA
Reverse polarity protection of the power supply	yes
UL approval	file 224618
CE compliant acc. to	EMC guideline 2014/30/EU RoHS guideline 2011/65/EU

Interface characteristics PROFINET IO	
Resolution singleturn	1 ... 65535 (16 bit), scalable default: 8192 (13 bit)
Number of revolutions (multiturn)	max. 4096 (12 bit) scalable only via the total resolution
Total resolution	1 ... 268.435.456 (28 bit), scalable default: 33.554.432 (25 bit)
Code	binary
Protocol	PROFINET IO

Link 1 and 2, LED (green / yellow)		
two colored	green	active link
	yellow	data transfer

Error LED (red) / PWR LED (green)	
Functionality see manual	

Absolute encoders – multiturn

**Standard
mechanical multiturn, optical**

Sendix 5868 / 5888 (shaft / hollow shaft)

PROFINET IO

General information about PROFINET IO

The PROFINET encoder implements the Encoder Profile 4.1. (according to the specification Encoder Version 4.1 Dec 2008")

It permits scaling and preset values, as well as many other additional parameters to be programmed via the PROFINET-Bus.

When switching on, all parameters are loaded from an EEPROM, where they were saved previously to protect them against power-failure, or taken over by the controller in the start-up phase.

Position, speed and many other states of the encoder can be transmitted.

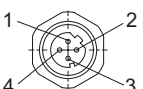
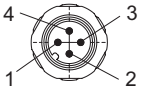
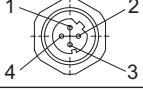
PROFINET IO

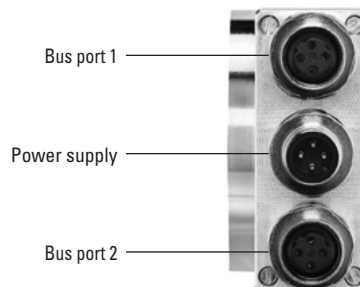
The complete encoder profile according to profile encoder version 4.1 as well as the identification & maintenance functionality version 1.16 has been implemented. IM blocks 0, 1, 2, 3 and 4 are supported.

The **M**edia **R**edundancy **P**rotocol is implemented here.

Basically, the advantage of MRP is that the functionality of the components, which are wired in a ring structure, is maintained in case of a failure or of a breakage of the wires in any location.

Terminal assignment

Interface	Type of connection	Function	M12 connector, 4-pin					
			Signal:	Transmit data+	Receive data+	Transmit data -	Receive data -	
C	2 (3 x M12 connector)	Bus port 1	Signal:	Transmit data+	Receive data+	Transmit data -	Receive data -	
			Abbreviation:	TxD+	RxD+	TxD-	RxD-	
			Pin:	1	2	3	4	
		Power supply	Signal:	Voltage +	-	Voltage -	-	
			Abbreviation:	+ V	-	0 V	-	
			Pin:	1	2	3	4	
		Bus port 2	Signal:	Transmit data+	Receive data+	Transmit data -	Receive data -	
			Abbreviation:	TxD+	RxD+	TxD-	RxD-	
			Pin:	1	2	3	4	



Absolute encoders – multiturn

Standard
mechanical multiturn, optical

Sendix 5868 / 5888 (shaft / hollow shaft)

PROFINET IO

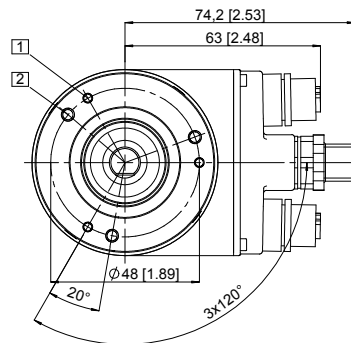
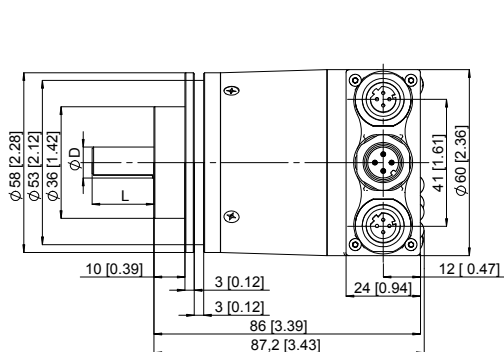
Dimensions shaft version, with removable bus terminal cover

Dimensions in mm [inch]

Clamping flange, \varnothing 58 [2.28]

Flange type 1 and 3

- 1 3 x M3, 6.0 [0.24] deep
- 2 3 x M4, 8.0 [0.31] deep

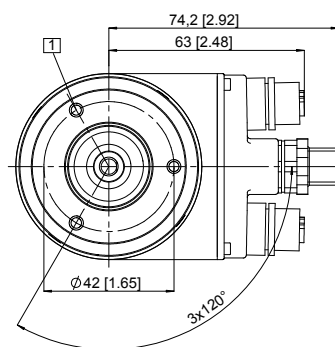
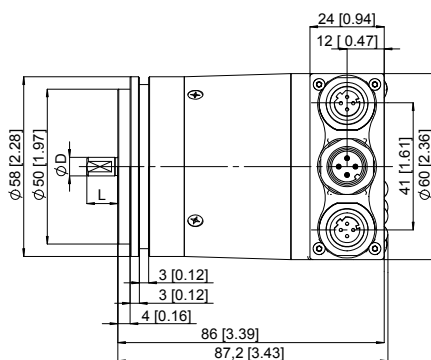


D	Fit	L
6 [0.24]	h7	10 [0.39]
10 [0.39]	f7	20 [0.79]
1/4"	h7	7/8"
3/8"	h7	7/8"

Synchro flange, \varnothing 58 [2.28]

Flange type 2 and 4

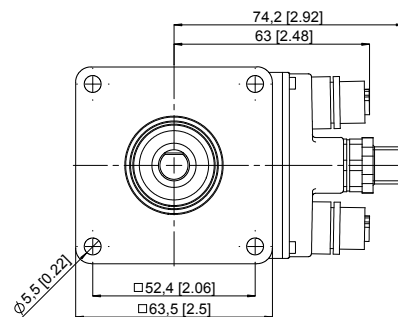
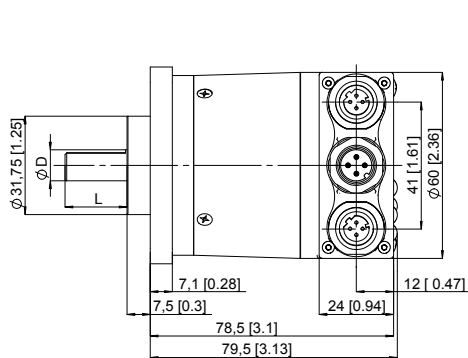
- 1 3 x M4, 6.0 [0.24] deep



D	Fit	L
6 [0.24]	h7	10 [0.39]
10 [0.39]	f7	20 [0.79]
1/4"	h7	7/8"
3/8"	h7	7/8"

Square flange, \square 63.5 [2.5]

Flange type 5 and 7



D	Fit	L
6 [0.24]	h7	10 [0.39]
10 [0.39]	f7	20 [0.79]
1/4"	h7	7/8"
3/8"	h7	7/8"

Absolute encoders – multiturn

**Standard
mechanical multiturn, optical**

Sendix 5868 / 5888 (shaft / hollow shaft)

PROFINET IO

Dimensions hollow shaft version (blind hollow shaft), with removable bus terminal cover

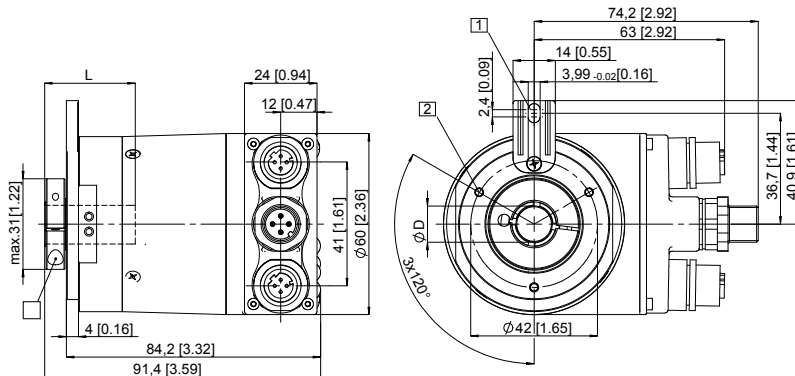
Dimensions in mm [inch]

**Flange with spring element, long
Flange type 1 and 2**

- 1 Slot spring element recommendation: cylindrical pin DIN 7, \varnothing 4 [0.16]
- 2 3 x M3, 5.5 [0.22] deep
- 3 Recommended torque for the clamping ring 0.6 Nm

D	Fit	L
10 [0.39]	H7	30 [1.18]
12 [0.47]	H7	30 [1.18]
14 [0.55]	H7	30 [1.18]
15 [0.59]	H7	30 [1.18]
3/8"	H7	30 [1.18]
1/2"	H7	30 [1.18]

L = insertion depth max. blind hollow shaft

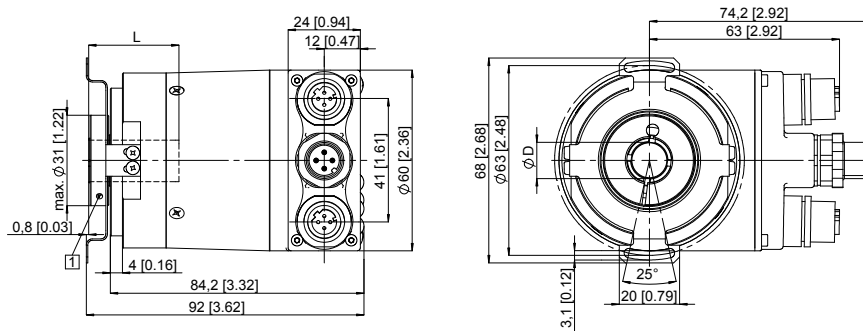


**Flange with stator coupling, \varnothing 63 [2.48]
Flange type 5 and 6**

- 1 Recommended torque for the clamping ring 0.6 Nm

D	Fit	L
10 [0.39]	H7	30 [1.18]
12 [0.47]	H7	30 [1.18]
14 [0.55]	H7	30 [1.18]
15 [0.59]	H7	30 [1.18]
3/8"	H7	30 [1.18]
1/2"	H7	30 [1.18]

L = insertion depth max. blind hollow shaft

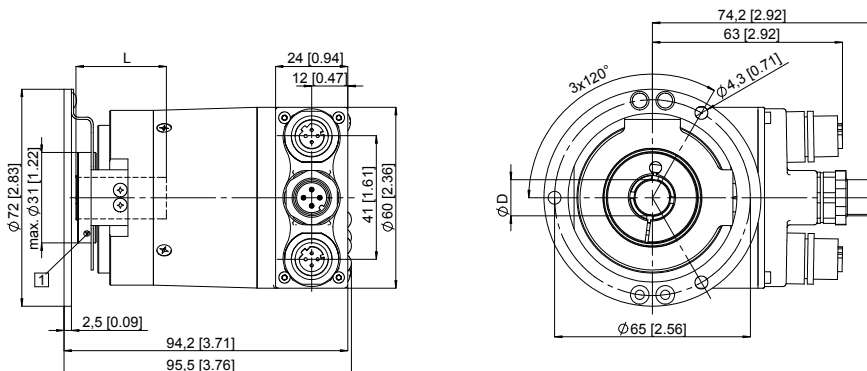


**Flange with stator coupling, \varnothing 65 [2.56]
Flange type 3 and 4**

- 1 Recommended torque for the clamping ring 0.6 Nm

D	Fit	L
10 [0.39]	H7	30 [1.18]
12 [0.47]	H7	30 [1.18]
14 [0.55]	H7	30 [1.18]
15 [0.59]	H7	30 [1.18]
3/8"	H7	30 [1.18]
1/2"	H7	30 [1.18]

L = insertion depth max. blind hollow shaft



Subject to change without prior notice.

WayCon Positionsmesstechnik GmbH

email: info@waycon.de
internet: www.waycon.biz

Head Office

Mehlbeerenstr. 4
82024 Taufkirchen
Tel. +49 (0)89 67 97 13-0
Fax +49 (0)89 67 97 13-250

Office Köln

Auf der Pehle 1
50321 Brühl
Tel. +49 (0)2232 56 79 44
Fax +49 (0)2232 56 79 45