

ENCODER

CANopen Multiturn



Series 8.5868, 8.5888

Key-Features:

- Solid shaft: maximum diameter 10 mm
- Blind hollow shaft: maximum diameter 15 mm
- Housing diameter 58 mm
- Interfaces: CANopen® and CANopen-Lift
- Protection class up to IP67
- Total resolution up to 28 Bit
- Maximum revolution speed 9000 turns/min
- Temperature range -40...+80°C

Content:

Order Code Solid Shaft2
Order Code Blind Hollow Shaft3
Technical Data4
CANopen Interface5
Connection6
Technical drawing7

Absolute encoders – multiturn

**Standard
mechanical multiturn, optical**

Sendix 5868 / 5888 (shaft / hollow shaft)

CANopen/CANopenLift



The Sendix multiturn encoders 5868 and 5888 with CANopen or CANopenLift interface and optical sensor technology are the right encoders for all CANopen or CANopenLift applications.

With a maximum resolution of 28 bits these encoders offer an optional additional RS422 incremental track with 2048 pulses.



Mechanical drive



Safety-Lock™



High rotational speed



Temperature range
-40°C... +80°C



High protection level



High shaft load capacity



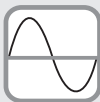
Magnetic field proof



Shock / vibration resistant



Reverse polarity protection



SinCos

Reliable

- Tried-and-tested in applications with the highest demands, such as in mobile automation or medical technology.
- Ideal for use outdoors thanks to IP67 protection and wide temperature range from -40°C up to +80°C.

Flexible

- Node address can be set via rotary switches or software.
- Baud rate and termination can be set via DIP switches or software.
- With bus terminal cover or fixed connection, as well as M12 connectors or cable connection.
- Universal scaling function.

Order code Shaft version

8.5868
Type

. X X X X . X X X X
a b c d e f



a Flange

- 1 = clamping flange, IP65 ø 58 mm [2.28"]**
- 3 = clamping flange, IP67 ø 58 mm [2.28"]
- 2 = synchro flange, IP65 ø 58 mm [2.28"]**
- 4 = synchro flange, IP67 ø 58 mm [2.28"]
- 5 = square flange, IP65 □ 63.5 mm [2.5"]
- 7 = square flange, IP67 □ 63.5 mm [2.5"]

b Shaft (a x L), with flat

- 1 = 6 x 10 mm [0.24 x 0.39"]¹⁾**
- 2 = 10 x 20 mm [0.39 x 0.79"]²⁾**
- 3 = 1/4" x 7/8"
- 4 = 3/8" x 7/8"

c Interface / power supply

- 2 = CANopen DS301 V4.02, 10 ... 30 V DC**
- 5 = CANopen DS301 V4.02, 10 ... 30 V DC**
with 2048 ppr incremental track (TTL-compatible)³⁾

d Type of connection

- removable bus terminal cover
- 1 = radial cable gland
- 2 = 2 x or 3 x M12 connector, 5-pin**
Fixed connection without bus terminal cover
- A = radial cable, 2 m [6.56'] PVC
- B = radial cable, special length PVC *)
- E = 1 x radial M12 connector, 5-pin
- F = 2 x radial M12 connector, 5-pin
- I = 1 x radial M23 connector, 12-pin
- J = 2 x radial M23 connector, 12-pin
- K = 1 x Sub-D connector, 9-pin

*) Available special lengths (connection type B):
3, 5, 8, 10, 15 m [9.84, 16.40, 26.25, 32.80, 49.21']
order code expansion .XXXX = length in dm
ex.: 8.5868.112B.2123.0030 (for cable length 3 m)

Optional on request

- Ex 2/22⁴⁾
- surface protection salt spray tested
- seawater resistant (stainless steel V4A)

Salt spray tested / stainless steel V4A as standard types (deliverable as from 1 unit)



salt spray tested:
8.5868.3222.2122-C



stainless steel V4A:
8.5868.3222.2122-V4A

e Fieldbus profile

- 212 = CANopen encoder profile DS406 V3.2**
- 221 = CANlift DS417 V1.01

f Options (service)

- 2 = no options
- 3 = SET button**

1) Preferred type only in conjunction with flange type 2.
2) Preferred type only in conjunction with flange type 1.

3) Only in conjunction with connection type 2.
4) For the cable connection type, cable material PUR.

Absolute encoders – multiturn

Standard mechanical multiturn, optical

Sendix 5868 / 5888 (shaft / hollow shaft)

CANopen/CANopenLift

Order code Hollow shaft

8.5888
Type

. **XXXX** . **XXX** **X**
a b c d e f



- a** Flange
 - 1 = with spring element, long, IP65
 - 2 = with spring element, long, IP67
 - 3 = with stator coupling, IP65 ø 65 mm [2.56"]
 - 4 = with stator coupling, IP67 ø 65 mm [2.56"]
 - 5 = with stator coupling, IP65 ø 63 mm [2.48"]**
 - 6 = with stator coupling, IP67 ø 63 mm [2.48"]
- b** Blind hollow shaft
(insertion depth max. 30 mm [1.18"])
 - 3 = ø 10 mm [0.39"]
 - 4 = ø 12 mm [0.47"]**
 - 5 = ø 14 mm [0.55"]
 - 6 = ø 15 mm [0.59"]
 - 8 = ø 3/8"
 - 9 = ø 1/2"
- c** Interface / power supply
 - 2 = CANopen DS301 V4.02, 10 ... 30 V DC**
 - 5 = CANopen DS301 V4.02, 10 ... 30 V DC with 2048 ppr incremental track (TTL-compatible) ¹⁾**

- d** Type of connection
removable bus terminal cover
 - 1 = radial cable gland
 - 2 = 2 x or 3 x M12 connector, 5-pin**
Fixed connection without bus terminal cover
 - A = radial cable, 2 m [6.56'] PVC
 - B = radial cable, special length PVC *)
 - E = 1 x radial M12 connector, 5-pin
 - F = 2 x radial M12 connector, 5-pin
 - I = 1 x radial M23 connector, 12-pin
 - J = 2 x radial M23 connector, 12-pin
 - K = 1 x Sub-D connector, 9-pin
- *) Available special lengths (connection type B):
3, 5, 8, 10, 15 m [9.84, 16.40, 26.25, 32.80, 49.21']
order code expansion .XXXX = length in dm
ex.: 8.5888.542B.2123.0030 (for cable length 3 m)

- e** Fieldbus profile
 - 212 = CANopen encoder profile DS406 V3.2**
 - 221 = CANlift DS417 V1.01
- f** Options (service)
 - 2 = no options
 - 3 = SET button**

Optional on request

- Ex 2/22 ²⁾
- surface protection salt spray tested
- seawater resistant (stainless steel V4A)

Salt spray tested / stainless steel V4A as standard types (deliverable as from 1 unit)



salt spray tested:
8.5888.2422.2122-C
8.5888.2522.2122-C



stainless steel V4A:
8.5888.2422.2122-V4A

Connection technology		Order no.
Cordset, pre-assembled	M12 female connector with coupling nut for bus in, 5-pin 2 m [16.40']	K5P2M-B-M12-CAN
	M12 male connector with external thread for bus out, 5-pin 2 m [16.40']	K5P2M-S-M12-CAN

1) Only in conjunction with connection type 2.
2) For the cable connection type, cable material PUR.

Absolute encoders – multiturn

**Standard
mechanical multiturn, optical**

Sendix 5868 / 5888 (shaft / hollow shaft)

CANopen/CANopenLift

Technical data

Mechanical characteristics

Maximum speed		
IP65 up to 70°C [158°F]		9000 min ⁻¹ , 7000 min ⁻¹ (continuous)
IP65 up to T _{max}		7000 min ⁻¹ , 4000 min ⁻¹ (continuous)
IP67 up to 70°C [158°F]		8000 min ⁻¹ , 6000 min ⁻¹ (continuous)
IP67 up to T _{max}		6000 min ⁻¹ , 3000 min ⁻¹ (continuous)
Starting torque - at 20°C [68°F]		
IP65		< 0.01 Nm
IP67		< 0.05 Nm
Mass moment of inertia		
shaft version		4.0 x 10 ⁻⁶ kgm ²
hollow shaft version		7.5 x 10 ⁻⁶ kgm ²
Load capacity of shaft		
radial		80 N
axial		40 N
Weight		
with bus terminal cover		approx. 0.57 kg [20.11 oz]
with fixed connection		approx. 0.52 kg [18.34 oz]
Protection acc. to EN 60529		
housing side	IP67	
shaft side	IP65, opt. IP67	
Working temperature range		
		-40°C ... +80°C [-40°F ... +176°F] ¹⁾
Material		
shaft/hollow shaft		stainless steel
flange		aluminum
housing		zinc die-cast
cable		PVC (PUR for Ex 2/22)
Shock resistance acc. to EN 60068-2-27		
		2500 m/s ² , 6 ms
Vibration resistance acc. to EN 60068-2-6		
		100 m/s ² , 55 ... 2000 Hz

Electrical characteristics

Power supply	10 ... 30 V DC
Power consumption (no load)	max. 100 mA
Reverse polarity protection of the power supply	yes
UL approval	file 224618
CE compliant acc. to	EMC guideline 2014/30/EU RoHS guideline 2011/65/EU

Interface characteristics CANopen/CANopenLift

Resolution singleturn	1 ... 65536 (16 bit), scalable default: 8192 (13 bit)
Number of revolutions (multiturn)	max. 4096 (12 bit) scalable only via the total resolution
Total resolution	1 ... 268.435.456 (28 bit), scalable default: 33.554.432 (25 bit)
Code	binary
Interface	CAN high-speed acc. to ISO 11898, Basic- and Full-CAN CAN specification 2.0 B
Protocol	CANopen profile DS406 V3.2 with manufacturer-specific add-ons or CANlift profile DS417 V1.1
Baud rate	10 ... 1000 kbit/s can be set via DIP switches, software configurable
Node address	1 ... 127 can be set via rotary switches, software configurable
Termination switchable	can be set via DIP switches, software configurable

Incremental track characteristics

Output driver	RS422 (TTL-compatible)
Permissible load / channel	max. +/- 20 mA
Signal level	HIGH typ. 3.8 V LOW typ. 1.3 V
Short circuit proof outputs	yes ²⁾
Resolution	2048 ppr

SET button (zero or defined value, option)

Protection against accidental activation.
Button can only be operated with a ball-pen or pencil.

Diagnostic LED (yellow)

LED is ON with the following fault conditions

Sensor error (internal code or LED error) too low voltage, over-temperature

1) Cable version: -30°C ... +75°C [-22°F ... +167°F].

2) Short circuit to 0 V or to output, only one channel at a time, power supply correctly applied.

Absolute encoders – multiturn

Standard mechanical multiturn, optical

Sendix 5868 / 5888 (shaft / hollow shaft)

CANopen/CANopenLift

General information about CANopen / CANopenLift

The CANopen encoders support the latest CANopen communication profile according to DS301 V4.02. In addition, device specific profiles such as encoder profile DS406 V3.2 and DS417 V1.1 (for lift applications) are available

The following operating modes may be selected: Polled Mode, Cyclic Mode, Sync Mode. Moreover, scale factors, preset values, limit switch values and many other additional parameters can be programmed via the CAN bus.

When switching the device on, all parameters are loaded from an EEPROM, where they were saved previously to protect them against power-failure.

The following output values may be combined in a freely variable way as PDO (PDO mapping): position, speed, acceleration as well as the status of the working area.

As competitively priced alternatives, encoders are also available with a connector or a cable connection, where the device address and baud rate can be changed and configured by means of the software. The models with bus terminal cover and integrated T-coupler allow for extremely simple installation: the bus and power supply can be easily connected via M12 connectors. The device address can be set via 2 rotary hex switches. Furthermore, another DIP switch allows for the setting of the baud rate and switching on a termination resistor. Three LEDs located on the back indicate the operating or fault status of the CAN bus, as well as the status of an internal diagnostic.

Universal Scaling Function

At the end of the physical resolution of an encoder, **when scaling is active**, an error appears if the division of the physical limit (GP_U) by the programmed total resolution (TMR) does not produce an integer.

The Universal Scaling Function remedies this problem.

CANopen communication profile DS301 V4.02

Among others, the following functionality is integrated.

- Class C2 functionality.
- NMT slave.
- Heartbeat protocol.
- High resolution sync protocol.
- Identity object.
- Error behavior object.
- Variable PDO mapping.
- Self-start programmable (power on to operational).
- 3 Sending PDO's.
- Node address, baud rate and CANbus.
- Programmable termination.

CANopen Encoder Profile DS406 V3.2

The following parameters can be programmed:

- Event mode.
- Units for speed selectable (steps/sec or min⁻¹).
- Factor for speed calculation (e.g. circumference of measuring wheel).
- Integration time for the speed value from 1 ... 32.
- 2 working areas with 2 upper and lower limits and the corresponding output states.
- Variable PDO mapping for position, speed, work area status.
- Extended failure management for position sensing with integrated temperature control.
- User interface with visual display of bus and failure status - 3 LED's.
- Optional - 32 CAMs programmable.
- Customer-specific memory - 16 Bytes.

CANopen Lift Profile DS417 V1.1

Among others, the following functionality is integrated:

- Car position unit.
- 2 virtual devices.
- 1 virtual device delivers the position in absolute measuring steps (steps).
- 1 virtual device delivers the position as an absolute travel information in mm.
- Lift number programmable.
- Independent setting of the node address in relation with the CAN identifier.
- Factor for speed calculation (e.g. measuring wheel periphery).
- Integration time for speed value of 1...32.
- 2 work areas with 2 upper and lower limits and the corresponding output states.
- Variable PDO mapping for position, speed, acceleration, work area status.
- Extended failure management for position sensing with integrated temperature control.
- User interface with visual display of bus and failure status - 3 LED's.
- "Watchdog controlled" device.

All profiles stated here: Key-features

The object 6003h "Preset" is assigned to an integrated key, accessible from the outside.


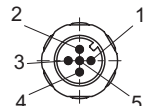

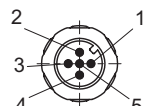
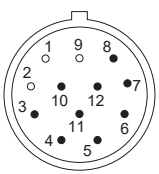
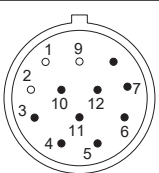
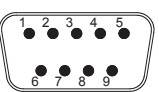
Absolute encoders – multiturn

Standard mechanical multiturn, optical

Sendix 5868 / 5888 (shaft / hollow shaft)

CANopen/CANopenLift

Terminal assignment

Interface	Type of connection	Cable gland (bus terminal cover with terminal box)												
2,5	1	Signal:												
		Bus OUT					Bus IN							
		CAN_GND	CAN_L	CAN_H	0 V power supply	+V power supply	0 V power supply	+V power supply	CAN_L	CAN_H	CAN_GND			
Abbreviation:		CG	CL	CH	0 V	+V	0 V	+V	CL	CH	CG			
Interface	Type of connection	Cable (isolate unused wires individually before initial start-up)												
2,5	A, B	Signal:												
		Bus IN												
		0 V power supply	+V power supply	CAN_L	CAN_H	CAN_GND								
Cable color:		WH	BN	YE	GN	GY								
Interface	Type of connection	2 x M12 connector, 5-pin (3 x M12 connector with interface 5)												
2,5	2, F	Signal:												
		Bus OUT												
		0 V power supply	+V power supply	CAN_L	CAN_H	CAN_GND								
		Pin:		3	2	5	4	1						
		Signal:												
		Bus IN												
0 V power supply	+V power supply	CAN_L	CAN_H	CAN_GND										
Pin:		3	2	5	4	1								
5	2	Incremental track												
		A	\bar{A}	B	\bar{B}	0 V								
		Pin:		1	2	3	4	5						
Interface	Type of connection	1 x M12 connector, 5-pin												
2,5	E	Signal:												
		Bus IN												
		0 V power supply	+V power supply	CAN_L	CAN_H	CAN_GND								
Pin:		3	2	5	4	1								
Interface	Type of connection	2 x M23 connector, 12-pin												
2,5	J	Signal:												
		Bus OUT												
		0 V power supply	+V power supply	CAN_L	CAN_H	CAN_GND								
		Pin:		10	12	2	7	3						
		Signal:												
		Bus IN												
0 V power supply	+V power supply	CAN_L	CAN_H	CAN_GND										
Pin:		10	12	2	7	3								
Interface	Type of connection	1 x M23 connector, 12-pin												
2,5	I	Signal:												
		Bus IN												
		0 V power supply	+V power supply	CAN_L	CAN_H	CAN_GND								
Pin:		10	12	2	7	3								
Interface	Type of connection	Sub-D connector, 9-pin												
2,5	K	Signal:												
		Bus IN												
		0 V power supply	+V power supply	CAN_L	CAN_H	CAN_GND								
Pin:		6	9	2	7	3								

Absolute encoders – multiturn

Standard mechanical multiturn, optical	Sendix 5868 / 5888 (shaft / hollow shaft)	CANopen/CANopenLift
---	--	----------------------------

Dimensions shaft version, with removable bus terminal cover

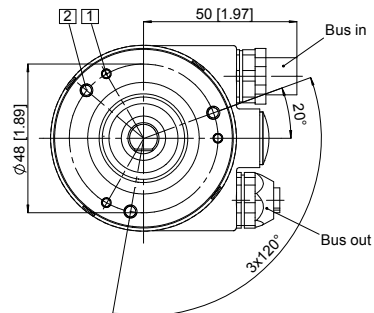
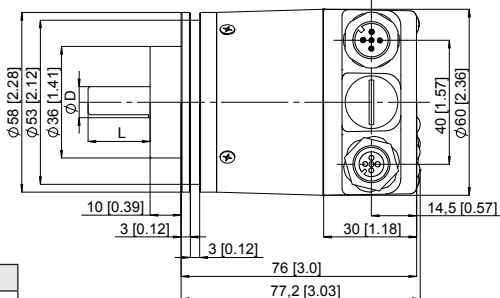
Dimensions in mm [inch]

Clamping flange, $\varnothing 58$ [2.28]

Flange type 1 and 3

(drawing with 2 x M12 connector)

- ① 3 x M3, 6 [0.24] deep
- ② 3 x M4, 8 [0.32] deep



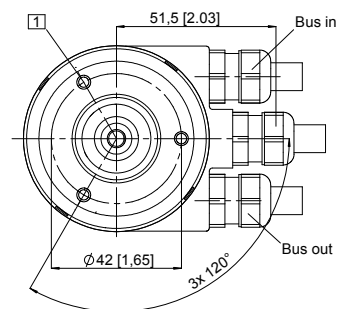
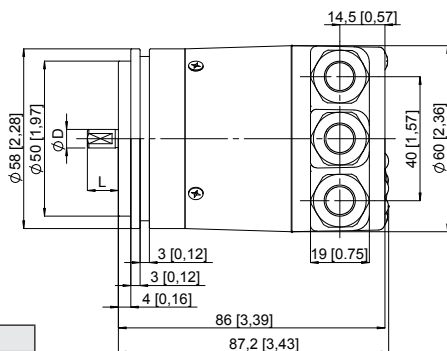
D	Fit	L
6 [0.24]	h7	10 [0.39]
10 [0.39]	f7	20 [0.79]
1/4"	h7	7/8"
3/8"	h7	7/8"

Synchro flange, $\varnothing 58$ [2.28]

Flange type 2 and 4

(drawing with cable)

- ① 3 x M4, 6 [0.24] deep

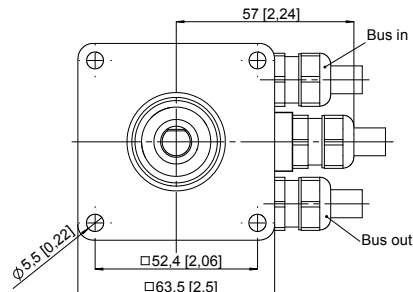
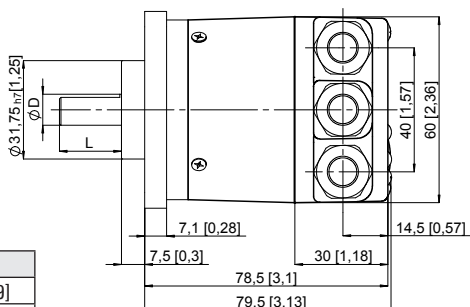


D	Fit	L
6 [0.24]	h7	10 [0.39]
10 [0.39]	f7	20 [0.79]
1/4"	h7	7/8"
3/8"	h7	7/8"

Square flange, $\square 63.5$ [2.5]

Flange type 5 and 7

(drawing with cable)



D	Fit	L
6 [0.24]	h7	10 [0.39]
10 [0.39]	f7	20 [0.79]
1/4"	h7	7/8"
3/8"	h7	7/8"

Absolute encoders – multiturn

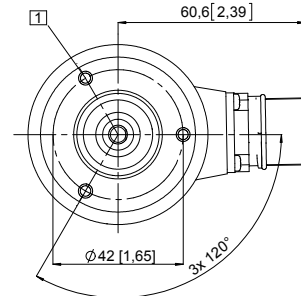
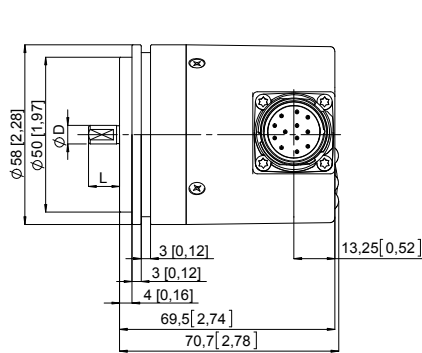
Standard mechanical multiturn, optical	Sendix 5868 / 5888 (shaft / hollow shaft)	CANopen/CANopenLift
---	--	----------------------------

Dimensions shaft version, with fixed connection

Dimensions in mm [inch]

Synchro flange, \varnothing 58 [2.28]
Flange type 2 and 4
 (drawing with M23 connector)

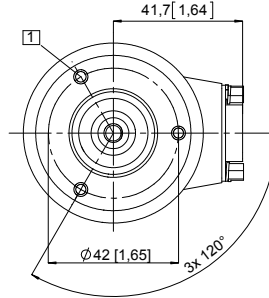
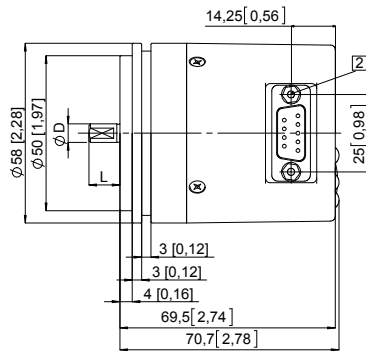
1 3 x M4, 6 [0.24] deep



D	Fit	L
6 [0.24]	h7	10 [0.39]
10 [0.39]	f7	20 [0.79]
1/4"	h7	7/8"
3/8"	h7	7/8"

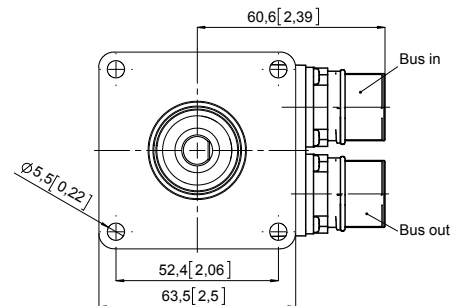
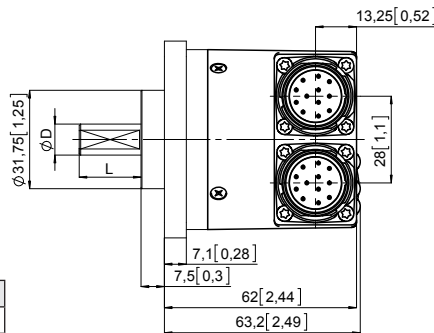
Synchro flange, \varnothing 58 [2.28]
Flange type 2 and 4
 (drawing with Sub-D connector)

1 3 x M4, 6 [0.24] deep
 2 2 x 4/40 UNC; 3.0 [0.12] deep



D	Fit	L
6 [0.24]	h7	10 [0.39]
10 [0.39]	f7	20 [0.79]
1/4"	h7	7/8"
3/8"	h7	7/8"

Square flange, \square 63.5 [2.5]
Flange type 5 and 7
 (drawing with 2 x M23 connector)



D	Fit	L
6 [0.24]	h7	10 [0.39]
10 [0.39]	f7	20 [0.79]
1/4"	h7	7/8"
3/8"	h7	7/8"

Absolute encoders – multiturn

**Standard
mechanical multiturn, optical**

Sendix 5868 / 5888 (shaft / hollow shaft)

CANopen/CANopenLift

Dimensions shaft version, with fixed connection

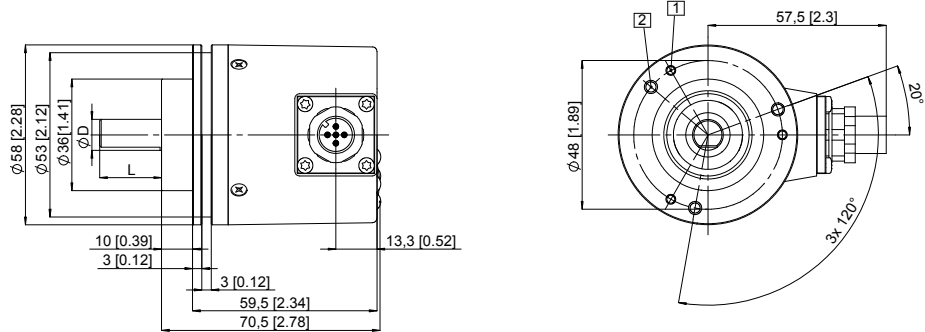
Dimensions in mm [inch]

Clamping flange, ø 58 [2.28]

Flange type 1 and 3

(drawing with 1 x M12 connector)

- 1 3 x M3, 6 [0.24] deep
- 2 3 x M4, 8 [0.32] deep



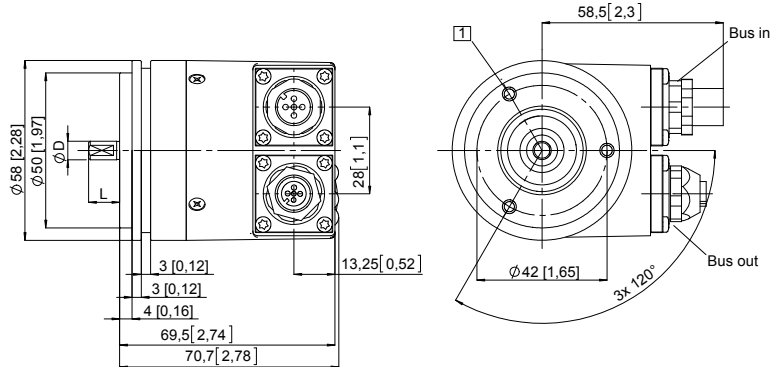
D	Fit	L
6 [0.24]	h7	10 [0.39]
10 [0.39]	f7	20 [0.79]
1/4"	h7	7/8"
3/8"	h7	7/8"

Synchro flange, ø 58 [2.28]

Flange type 2 and 4

(drawing with M12 connector)

- 1 3 x M4, 8 [0.32] deep



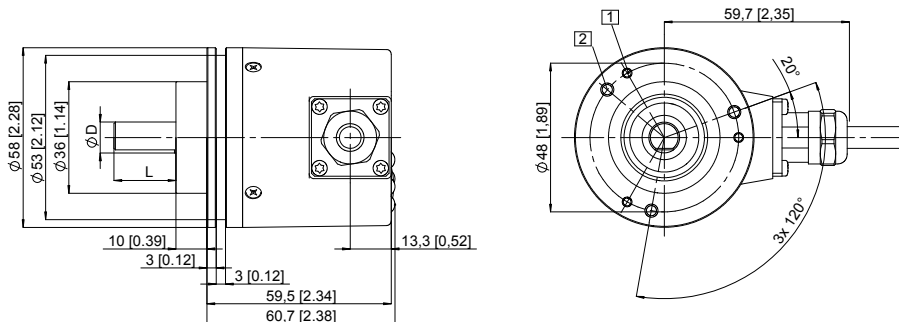
D	Fit	L
6 [0.24]	h7	10 [0.39]
10 [0.39]	f7	20 [0.79]
1/4"	h7	7/8"
3/8"	h7	7/8"

Clamping flange, ø 58 [2.28]

Flange type 1 and 3

(drawing with cable)

- 1 3 x M3, 6 [0.24] deep
- 2 3 x M4, 8 [0.32] deep



D	Fit	L
6 [0.24]	h7	10 [0.39]
10 [0.39]	f7	20 [0.79]
1/4"	h7	7/8"
3/8"	h7	7/8"

Absolute encoders – multiturn

**Standard
mechanical multiturn, optical**

Sendix 5868 / 5888 (shaft / hollow shaft)

CANopen/CANopenLift

Dimensions hollow shaft version (blind hollow shaft), with removable bus terminal cover

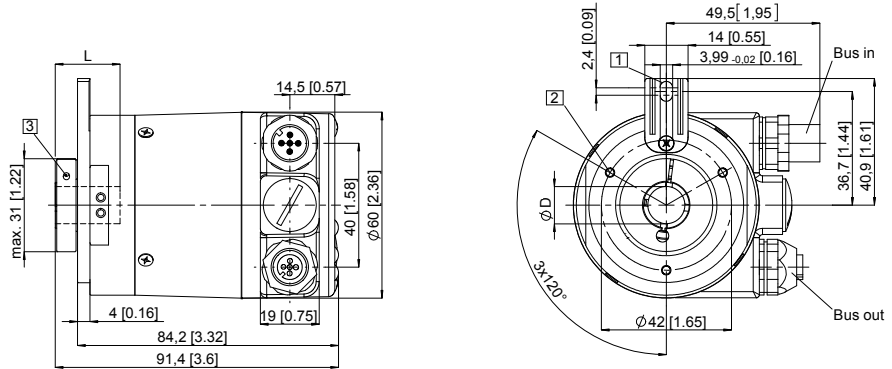
Dimensions in mm [inch]

Flange with spring element, long

Flange type 1 and 2

(drawing with 2 x M12 connector)

- 1 Slot spring element recommendation: cylindrical pin DIN 7, \varnothing 4 [0.16]
- 2 3 x M3, 5.5 [0.22] deep
- 3 Recommended torque for the clamping ring 0.6 Nm



D	Fit	L
10 [0.39]	H7	30 [1.18]
12 [0.47]	H7	30 [1.18]
14 [0.55]	H7	30 [1.18]
15 [0.59]	H7	30 [1.18]
3/8"	H7	30 [1.18]
1/2"	H7	30 [1.18]

L = insertion depth max. blind hollow shaft

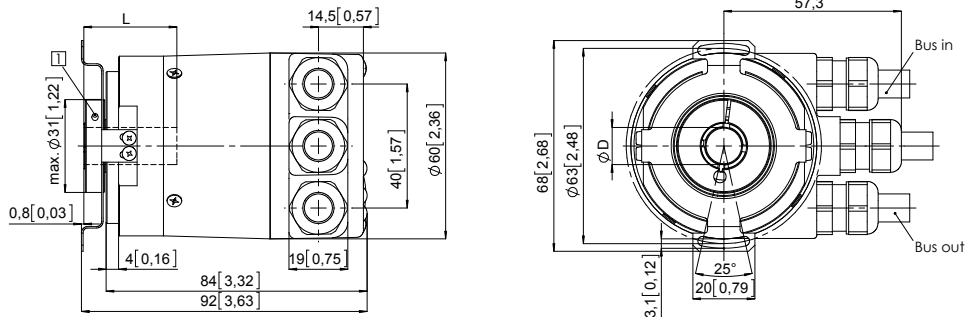
Flange with stator coupling, \varnothing 63 [2.48]

Flange type 5 and 6

Pitch circle diameter for fixing screws 63 [2.48]

(drawing with cable)

- 1 Recommended torque for the clamping ring 0.6 Nm



D	Fit	L
10 [0.39]	H7	30 [1.18]
12 [0.47]	H7	30 [1.18]
14 [0.55]	H7	30 [1.18]
15 [0.59]	H7	30 [1.18]
3/8"	H7	30 [1.18]
1/2"	H7	30 [1.18]

L = insertion depth max. blind hollow shaft

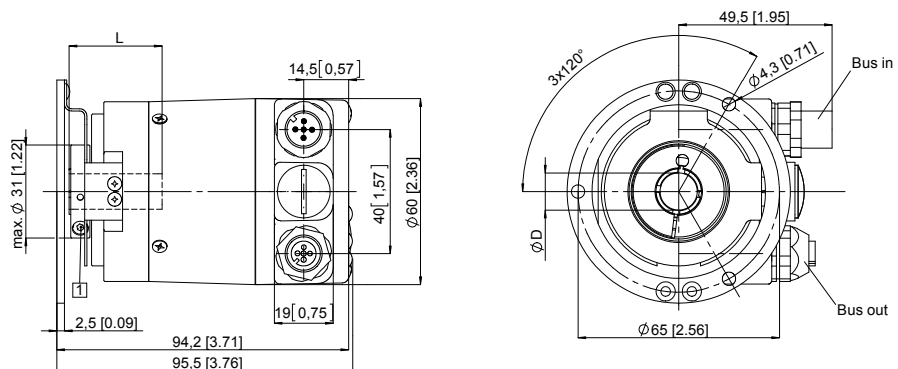
Flange with stator coupling, \varnothing 65 [2.56]

Flange type 3 and 4

Pitch circle diameter for fixing screws 65 [2.56]

(drawing with 2x M12 connector)

- 1 Recommended torque for the clamping ring 0.6 Nm



D	Fit	L
10 [0.39]	H7	30 [1.18]
12 [0.47]	H7	30 [1.18]
14 [0.55]	H7	30 [1.18]
15 [0.59]	H7	30 [1.18]
3/8"	H7	30 [1.18]
1/2"	H7	30 [1.18]

L = insertion depth max. blind hollow shaft

Absolute encoders – multiturn

**Standard
mechanical multiturn, optical**

Sendix 5868 / 5888 (shaft / hollow shaft)

CANopen/CANopenLift

Dimensions hollow shaft version (blind hollow shaft), with fixed connection

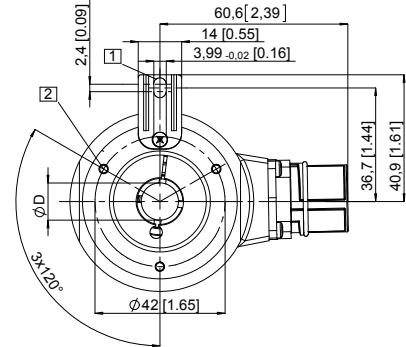
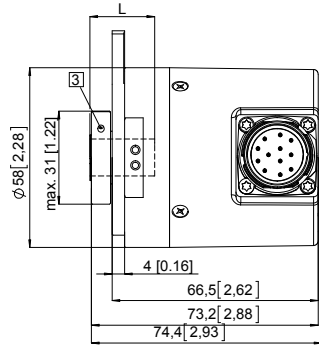
Dimensions in mm [inch]

Flange with spring element, long

Flange type 1 and 2

(drawing with M23 connector)

- 1 Slot spring element
recommendation:
cylindrical pin DIN 7, $\varnothing 4$ [0.16]
- 2 3 x M3, 5.5 [0.22] deep
- 3 Recommended torque for the
clamping ring 0.6 Nm



D	Fit	L
10 [0.39]	H7	30 [1.18]
12 [0.47]	H7	30 [1.18]
14 [0.55]	H7	30 [1.18]
15 [0.59]	H7	30 [1.18]
3/8"	H7	30 [1.18]
1/2"	H7	30 [1.18]

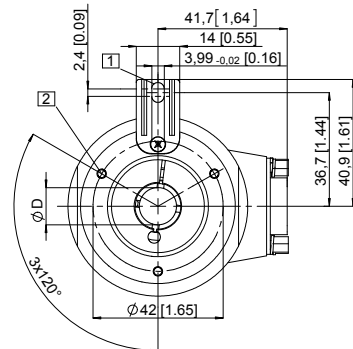
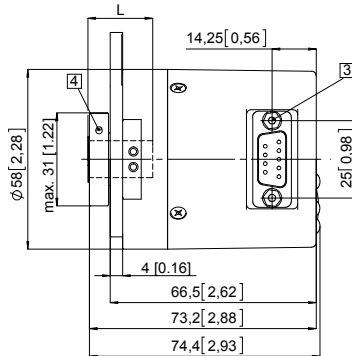
L = insertion depth max. blind hollow shaft

Flange with spring element, long

Flange type 1 and 2

(drawing with Sub-D connector)

- 1 Slot spring element
recommendation:
cylindrical pin DIN 7, $\varnothing 4$ [0.16]
- 2 3 x M3, 5.5 [0.22] deep
- 3 2 x 4/40 UNC; 3.0 [0.12] deep
- 4 Recommended torque for the
clamping ring 0.6 Nm



D	Fit	L
10 [0.39]	H7	30 [1.18]
12 [0.47]	H7	30 [1.18]
14 [0.55]	H7	30 [1.18]
15 [0.59]	H7	30 [1.18]
3/8"	H7	30 [1.18]
1/2"	H7	30 [1.18]

L = insertion depth max. blind hollow shaft

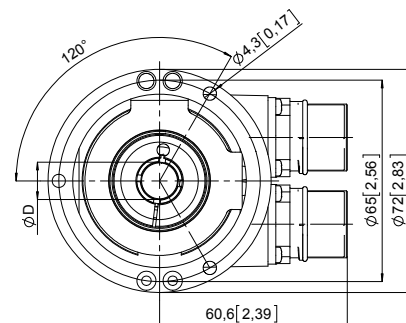
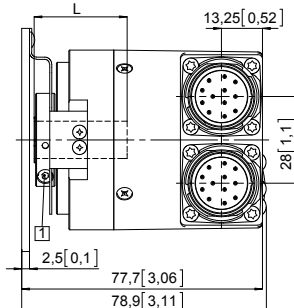
Flange with stator coupling, $\varnothing 65$ [2.56]

Flange type 3 and 4

Pitch circle diameter for fixing screws
65 [2.56]

(drawing with 2 x M23 connector)

- 1 Recommended torque for the
clamping ring 0.6 Nm



D	Fit	L
10 [0.39]	H7	30 [1.18]
12 [0.47]	H7	30 [1.18]
14 [0.55]	H7	30 [1.18]
15 [0.59]	H7	30 [1.18]
3/8"	H7	30 [1.18]
1/2"	H7	30 [1.18]

L = insertion depth max. blind hollow shaft

Absolute encoders – multiturn

Standard mechanical multiturn, optical	Sendix 5868 / 5888 (shaft / hollow shaft)	CANopen/CANopenLift
---	--	----------------------------

Dimensions hollow shaft version (blind hollow shaft), with fixed connection

Dimensions in mm [inch]

Flange with stator coupling, ø 63 [2.48]

Flange type 5 and 6

Pitch circle diameter for fixing screws 63 [2.48]

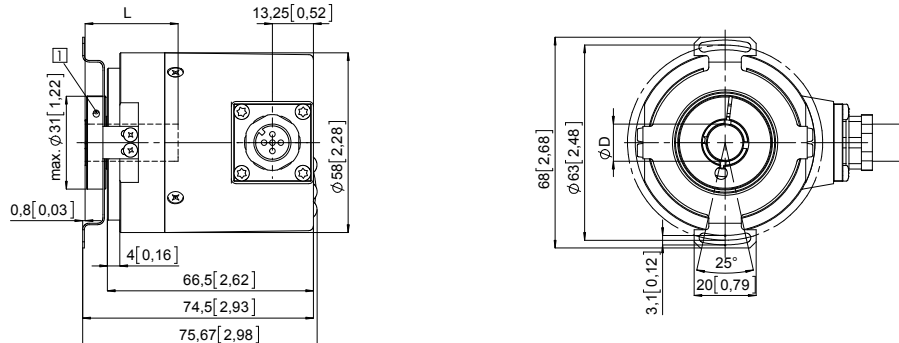
63 [2.48]

(drawing with M12 connector)

- 1 Recommended torque for the clamping ring 0.6 Nm

D	Fit	L
10 [0.39]	H7	30 [1.18]
12 [0.47]	H7	30 [1.18]
14 [0.55]	H7	30 [1.18]
15 [0.59]	H7	30 [1.18]
3/8"	H7	30 [1.18]
1/2"	H7	30 [1.18]

L = insertion depth max. blind hollow shaft



Flange with spring element, long

Flange type 1 and 2

(drawing with 2 x M12 connector)

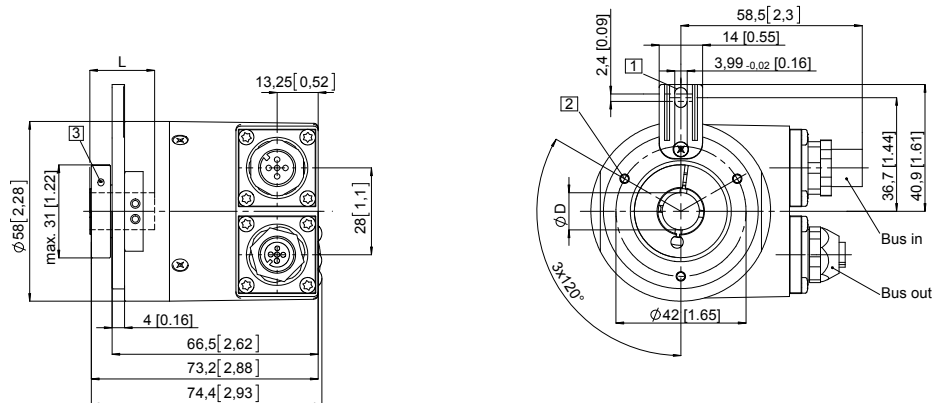
- 1 Slot spring element recommendation: cylindrical pin DIN 7, ø 4 [0.16]

- 2 3 x M3, 5.5 [0.22] deep

- 3 Recommended torque for the clamping ring 0.6 Nm

D	Fit	L
10 [0.39]	H7	30 [1.18]
12 [0.47]	H7	30 [1.18]
14 [0.55]	H7	30 [1.18]
15 [0.59]	H7	30 [1.18]
3/8"	H7	30 [1.18]
1/2"	H7	30 [1.18]

L = insertion depth max. blind hollow shaft



Flange with stator coupling, ø 65 [2.56]

Flange type 3 and 4

Pitch circle diameter for fixing screws 65 [2.56]

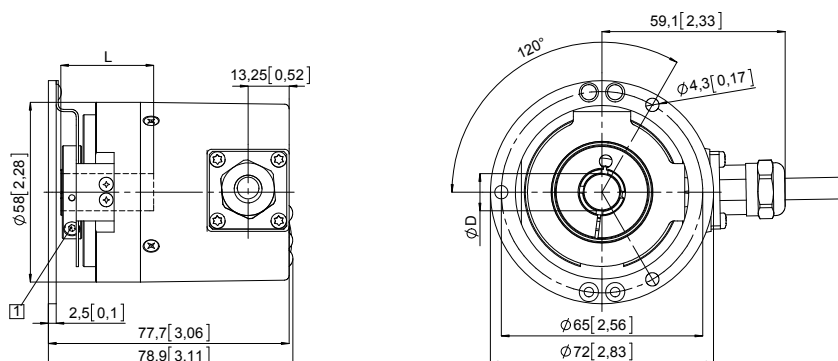
65 [2.56]

(drawing with cable)

- 1 Recommended torque for the clamping ring 0.6 Nm

D	Fit	L
10 [0.39]	H7	30 [1.18]
12 [0.47]	H7	30 [1.18]
14 [0.55]	H7	30 [1.18]
15 [0.59]	H7	30 [1.18]
3/8"	H7	30 [1.18]
1/2"	H7	30 [1.18]

L = insertion depth max. blind hollow shaft



Subject to change without prior notice.

WayCon Positionsmesstechnik GmbH

email: info@waycon.de

internet: www.waycon.biz



Head Office

Mehlbeerenstr. 4

82024 Taufkirchen

Tel. +49 (0)89 67 97 13-0

Fax +49 (0)89 67 97 13-250

Office Köln

Auf der Pehle 1

50321 Brühl

Tel. +49 (0)2232 56 79 44

Fax +49 (0)2232 56 79 45